

BATHROOM SOLUTIONS

Cabinetry Work Sheet

Use this worksheet to plan what components you will need to design your own personal bathroom layout. **Please verify your measurements. Allow for door, window, electrical outlets and plumbing.**

TO PLACE AN ORDER: Check the applicable boxes, fill in the blanks as noted and submit this worksheet to a sales associate of an authorized Jenson Vanities Dealer where they will place your order.

Step 1: Choose Model, Color, and Finish

- Check one box only next to the model desired (ie. Bayview)
- Write in your stain color choice in the space provided
- Specify finish as either UNFIN, SATIN, SEMI, or GLOSS. N/A on White cabinets.
- For multiple styles & finishes, use a separate work sheet

Select a Model	Color Choices (See Dealer for samples)	Write in Your Choice of Stain Color & Wood Species ie. Dark Maple (DM)
<input type="checkbox"/> Albany	Beech: Natural, Light, Cherry, Spice, Mocha, Dark Maple: Natural, Light, Blush, Cherry, Spice, Mocha, Dark Cherry: Light, Cherry, Spice, Mocha, Dark	
<input type="checkbox"/> Bayview	Oak and Maple: Natural, Light, Blush, Cherry, Spice, Mocha, Dark	
<input type="checkbox"/> Carmel		
<input type="checkbox"/> Georgetown	Cherry: Light, Cherry, Spice, Mocha, Dark	
<input type="checkbox"/> Hillsborough	Beech: Natural, Light, Cherry, Spice, Mocha, Dark Maple: Natural, Light, Blush, Cherry, Spice, Mocha, Dark Cherry: Light, Cherry, Spice, Mocha, Dark	
<input type="checkbox"/> Inglewood		
<input type="checkbox"/> New Atherton	Oak: Natural, Light, Blush, Cherry, Spice, Mocha, Dark	
<input type="checkbox"/> Newport	Cherry: Light, Cherry, Spice, Mocha, Dark	
<input type="checkbox"/> Orinda	Oak: Natural, Light, Blush, Cherry, Spice, Mocha, Dark Beech: Natural, Light, Cherry, Spice, Mocha, Dark	
<input type="checkbox"/> Princeton	Oak and Maple: Natural, Light, Blush, Cherry, Spice, Mocha, Dark	
<input type="checkbox"/> Quaker	Thermafoil: Satin White (W)	
<input type="checkbox"/> Richmond	Thermafoil: Satin White (W) only	White
<input type="checkbox"/> Saratoga	Beech: Natural, Light, Cherry, Spice, Mocha, Dark	
<input type="checkbox"/> Tiburon	Beech: Natural, Light, Cherry, Spice, Mocha, Dark Maple: Natural, Light, Blush, Cherry, Spice, Mocha, Dark Cherry: Light, Cherry, Spice, Mocha, Dark	
<input type="checkbox"/> Yorktown	Beech: Natural, Light, Cherry, Spice, Mocha, Dark Maple: Natural, Light, Blush, Cherry, Spice, Mocha, Dark Thermafoil: Satin White (W)	

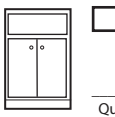
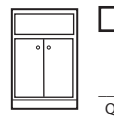
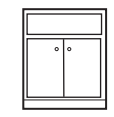
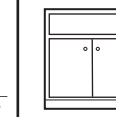


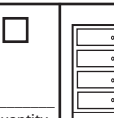

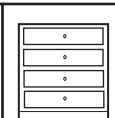
CHOOSE A FINISH: White cabinets are only available in satin thermafoil as noted.

- UNFIN** (unfinished, no stain/top coat) **SEMI** (Semi-gloss clear coat lacquer)
 SATIN (Satin clear coat lacquer) **GLOSS** (Gloss clear coat lacquer)

Step 2: Select Cabinets Needed

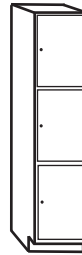
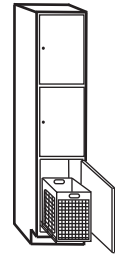
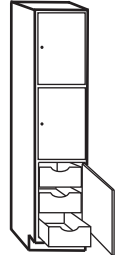
- Check one box for height of cabinet(s). For multiple heights use a separate form
- Check the box(es) for the applicable cabinets needed
- Write in a quantity for each

Height of cabinet(s): 31" 33³/₄" Tall or 33³/₄" PREM

Vanities	 <input type="checkbox"/> _____ Quantity	 <input type="checkbox"/> _____ Quantity	 <input type="checkbox"/> _____ Quantity	 <input type="checkbox"/> _____ Quantity
	21"W x 21"D	24"W x 21"D	27"W x 21"D	30"W x 21"D
Drawer Banks	 <input type="checkbox"/> _____ Quantity	 <input type="checkbox"/> _____ Quantity	 <input type="checkbox"/> _____ Quantity	 <input type="checkbox"/> _____ Quantity
	12"W x 21"D	15"W x 21"D	18"W x 21"D	21"W x 21"D
	 <input type="checkbox"/> _____ Quantity			
				24"W x 21"D

Step 3: Choose a Linen Cabinet

- Check applicable box, write in the quantity, specify hinge left or right (as you face the cabinet).
- A crown moulding is optional on all linen cabinets. It is 3/4" thick and extends 7/8" over the sides & 1" over the front.
- Linen Cabinets are 18" wide x 78" tall x 21" deep


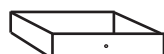
3 Doors _____ Quantity	Pull-Out Hamper _____ Quantity	With Drawers _____ Quantity
		
Check one <input type="checkbox"/> Hinge Left <input type="checkbox"/> Hinge Right		
<input type="checkbox"/> Check box if crown molding is desired (add 3/4" to height)		

Step 4: Select Hardware (knobs)

- Premiere Decorative Satin Chrome Satin Chrome
 Polished Chrome Polished Brass
 Oil Rubbed Bronze None (no drill)

Step 5: Select Accessories

- Check applicable boxes, write in the quantity.

<input type="checkbox"/> FILL STRIP for Vanities or Drawer Banks	<input type="checkbox"/> 3" wide _____ (quantity)	<input type="checkbox"/> 6" wide _____ (quantity)
<input type="checkbox"/> FILL STRIP for Linen Cabinets	<input type="checkbox"/> 3" wide _____ (quantity)	
Fill strips are 3/4" thick and come in two pieces, the face frame section of the cabinet and the toe kick section.		
<input type="checkbox"/> TRIM STRIP for Vanities or Drawer Banks	1 3/8" wide x 3/8" thick _____ (quantity)	
<input type="checkbox"/> TRIM STRIP for Linen Cabinets	1 3/8" wide x 3/8" thick _____ (quantity)	
Trim Strips are not available in satin white		
<input type="checkbox"/> TOE KICK PLATE 5" wide x 1/2" thick x 84" long	_____ (quantity)	
<input type="checkbox"/> BASE BOARD 2" wide x 3/4" thick x 84" long	_____ (quantity)	
Toe Kick Plates and Base Boards are finished on 3 sides and are designed to be cut to length at the job site and cover the seams of adjoining units at the toe kick area, giving the cabinetry a custom, "built-in" appearance		
<input type="checkbox"/> Suspended Drawer Unit (SDU) 21" d x 6 3/4" h	2 options, check one:	
<input type="checkbox"/> 1/2" ply w/side-mounted, epoxy coated slides	<input type="checkbox"/> 1/2" solid beech w/soft-close, undermount slides (PREM)	
	<input type="checkbox"/> _____ (quantity)	
		24" w _____ (quantity)
		30" w _____ (quantity)