

FLY-OVER MEDICINE CABINET INSTALLATION INSTRUCTIONS



BEFORE YOU BEGIN PLEASE READ THESE SAFETY PRECAUTIONS

- Hanging this medicine cabinet will require more than one person to do the job.
- The most secure way to hang your medicine cabinet is with the screws provided, through the back of the cabinet and into the wall studs. Toggle or molly bolts are not recommended.
- Because the mirror set screws on the pivot hinges could come loose during transit, they should be checked and tightened if necessary. To avoid breaking mirror, do not over-tighten mirror screws.

1. Attach the Fly-Over Light Bar to the Medicine Cabinet with the screws provided as illustrated in figure A.
2. Locate wall studs.
2. Drill 3/16" holes through the back of the medicine cabinet to align with wall studs.
3. Be sure the medicine cabinet is level.
4. Insert mounting screws (provided) through holes and secure to wall studs as illustrated in figure B.
5. 110 volt electrical outlet is necessary.
6. Plug the light bar into the outlet.

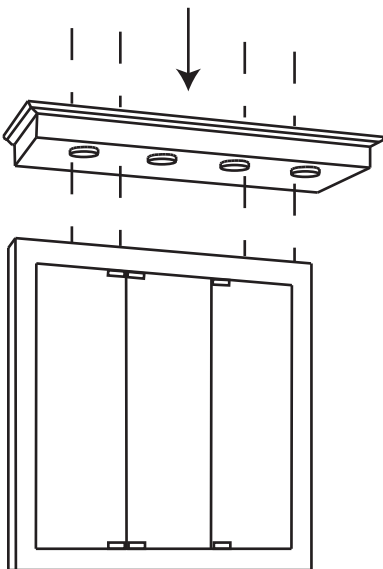


Fig. A

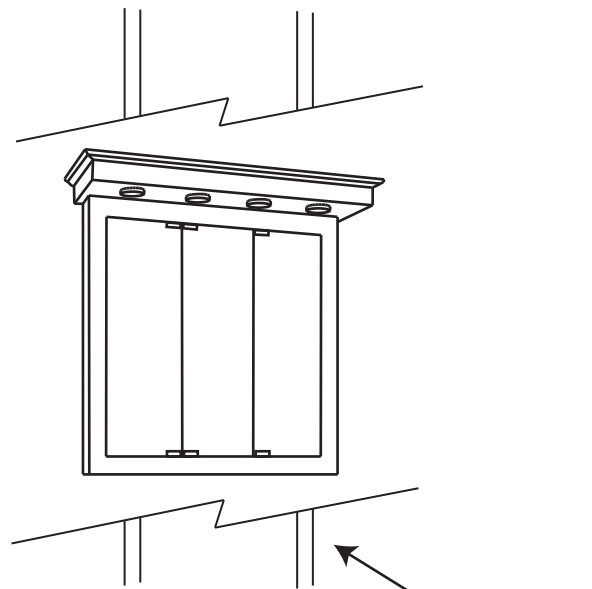


Fig. B

Wall Studs

MIRROR ADJUSTMENTS:

To align mirrors: Loosen set screws on pivot hinge at top and bottom of mirror door. Adjust the mirror and carefully re-tighten screws. Over-tightening could break the mirror.

If you have a particular question that is not addressed in these instructions please e-mail us via our web site at: